

## TFT LCD Preliminary Specification

# MODEL NO.: M215H3-LA1

Customer : \_\_\_\_\_

Approved by : \_\_\_\_\_

Note :

核准時間	部門	審核	角色	投票
2010-02-10 13:19:58	MTR 產品管理處		Director	Accept

- CONTENTS -

REVISION HISTORY	-----	3
1. GENERAL DESCRIPTION	-----	4
1.1 OVERVIEW		
1.2 FEATURES		
1.3 APPLICATION		
1.4 GENERAL SPECIFICATIONS		
1.5 MECHANICAL SPECIFICATIONS		
2. ABSOLUTE MAXIMUM RATINGS	-----	5
2.1 ABSOLUTE RATINGS OF ENVIRONMENT		
2.2 ELECTRICAL ABSOLUTE RATINGS		
2.2.1 TFT LCD MODULE		
2.2.2 BACKLIGHT UNIT		
3. ELECTRICAL CHARACTERISTICS	-----	7
3.1 TFT LCD MODULE		
3.2 BACKLIGHT UNIT		
4. BLOCK DIAGRAM	-----	12
4.1 TFT LCD MODULE		
4.2 BACKLIGHT UNIT		
5. INPUT TERMINAL PIN ASSIGNMENT	-----	13
5.1 TFT LCD MODULE		
5.2 BACKLIGHT UNIT		
5.3 COLOR DATA INPUT ASSIGNMENT		
6. INTERFACE TIMING	-----	16
6.1 INPUT SIGNAL TIMING SPECIFICATIONS		
6.2 POWER ON/OFF SEQUENCE		
7. OPTICAL CHARACTERISTICS	-----	19
7.1 TEST CONDITIONS		
7.2 OPTICAL SPECIFICATIONS		
8. PACKAGING	-----	22
8.1 PACKING SPECIFICATIONS		
8.2 PACKING METHOD		
9. DEFINITION OF LABELS	-----	24
9.1 CMO MODULE LABEL		
10. RELIABILITY TEST	-----	25
11. PRECAUTIONS	-----	26
11.1 ASSEMBLY AND HANDLING PRECAUTIONS		
11.2 SAFETY PRECAUTIONS		
11.3 SAFETY STANDARDS		
11.4 STORAGE		
11.5 OPERATION CONDITION GUIDE		
11.6 OTHER		
12. MECHANICAL CHARACTERISTICS	-----	27

**REVISION HISTORY**

Version	Date	Section	Description																											
Ver 0.0	Dec,01,'09	All	M215H3-LA1 Specifications was first issued.																											
Ver 1.0	Feb,04,'10	1.5	Modify the MECHANICAL SPECIFICATIONS Change the module weight form 1970g to 2010g																											
		7.2	Modify the OPTICAL SPECIFICATIONS Original																											
			<table border="1"> <thead> <tr> <th></th> <th></th> <th>Min. <math>\varnothing</math></th> <th>Typ. <math>\varnothing</math></th> <th>Max. <math>\varnothing</math></th> </tr> </thead> <tbody> <tr> <td rowspan="2">Red <math>\varnothing</math></td> <td>Rx <math>\varnothing</math></td> <td rowspan="6">Typ - <math>\varnothing</math> 0.03 <math>\varnothing</math></td> <td><del>(0.636)</del> <math>\varnothing</math></td> <td rowspan="6">Typ + <math>\varnothing</math> 0.03 <math>\varnothing</math></td> </tr> <tr> <td>Ry <math>\varnothing</math></td> <td><del>(0.348)</del> <math>\varnothing</math></td> </tr> <tr> <td rowspan="2">Green <math>\varnothing</math></td> <td>Gx <math>\varnothing</math></td> <td><del>(0.327)</del> <math>\varnothing</math></td> </tr> <tr> <td>Gy <math>\varnothing</math></td> <td><del>(0.611)</del> <math>\varnothing</math></td> </tr> <tr> <td rowspan="2">Blue <math>\varnothing</math></td> <td>Bx <math>\varnothing</math></td> <td><del>(0.154)</del> <math>\varnothing</math></td> </tr> <tr> <td>By <math>\varnothing</math></td> <td><del>(0.059)</del> <math>\varnothing</math></td> </tr> <tr> <td rowspan="2">White <math>\varnothing</math></td> <td>Wx <math>\varnothing</math></td> <td>0.313 <math>\varnothing</math></td> </tr> <tr> <td>Wy <math>\varnothing</math></td> <td>0.329 <math>\varnothing</math></td> </tr> </tbody> </table>			Min. $\varnothing$	Typ. $\varnothing$	Max. $\varnothing$	Red $\varnothing$	Rx $\varnothing$	Typ - $\varnothing$ 0.03 $\varnothing$	<del>(0.636)</del> $\varnothing$	Typ + $\varnothing$ 0.03 $\varnothing$	Ry $\varnothing$	<del>(0.348)</del> $\varnothing$	Green $\varnothing$	Gx $\varnothing$	<del>(0.327)</del> $\varnothing$	Gy $\varnothing$	<del>(0.611)</del> $\varnothing$	Blue $\varnothing$	Bx $\varnothing$	<del>(0.154)</del> $\varnothing$	By $\varnothing$	<del>(0.059)</del> $\varnothing$	White $\varnothing$	Wx $\varnothing$	0.313 $\varnothing$	Wy $\varnothing$	0.329 $\varnothing$
		Min. $\varnothing$	Typ. $\varnothing$	Max. $\varnothing$																										
Red $\varnothing$	Rx $\varnothing$	Typ - $\varnothing$ 0.03 $\varnothing$	<del>(0.636)</del> $\varnothing$	Typ + $\varnothing$ 0.03 $\varnothing$																										
	Ry $\varnothing$		<del>(0.348)</del> $\varnothing$																											
Green $\varnothing$	Gx $\varnothing$		<del>(0.327)</del> $\varnothing$																											
	Gy $\varnothing$		<del>(0.611)</del> $\varnothing$																											
Blue $\varnothing$	Bx $\varnothing$		<del>(0.154)</del> $\varnothing$																											
	By $\varnothing$		<del>(0.059)</del> $\varnothing$																											
White $\varnothing$	Wx $\varnothing$	0.313 $\varnothing$																												
	Wy $\varnothing$	0.329 $\varnothing$																												
			NEW:																											
			<table border="1"> <thead> <tr> <th></th> <th></th> <th>Min. <math>\varnothing</math></th> <th>Typ. <math>\varnothing</math></th> <th>Max. <math>\varnothing</math></th> </tr> </thead> <tbody> <tr> <td rowspan="2">Red <math>\varnothing</math></td> <td>Rx <math>\varnothing</math></td> <td rowspan="6">Typ - <math>\varnothing</math> 0.03 <math>\varnothing</math></td> <td><del>(0.644)</del> <math>\varnothing</math></td> <td rowspan="6">Typ + <math>\varnothing</math> 0.03 <math>\varnothing</math></td> </tr> <tr> <td>Ry <math>\varnothing</math></td> <td><del>(0.338)</del> <math>\varnothing</math></td> </tr> <tr> <td rowspan="2">Green <math>\varnothing</math></td> <td>Gx <math>\varnothing</math></td> <td><del>(0.310)</del> <math>\varnothing</math></td> </tr> <tr> <td>Gy <math>\varnothing</math></td> <td><del>(0.619)</del> <math>\varnothing</math></td> </tr> <tr> <td rowspan="2">Blue <math>\varnothing</math></td> <td>Bx <math>\varnothing</math></td> <td><del>(0.153)</del> <math>\varnothing</math></td> </tr> <tr> <td>By <math>\varnothing</math></td> <td><del>(0.062)</del> <math>\varnothing</math></td> </tr> <tr> <td rowspan="2">White <math>\varnothing</math></td> <td>Wx <math>\varnothing</math></td> <td>0.313 <math>\varnothing</math></td> </tr> <tr> <td>Wy <math>\varnothing</math></td> <td>0.329 <math>\varnothing</math></td> </tr> </tbody> </table>			Min. $\varnothing$	Typ. $\varnothing$	Max. $\varnothing$	Red $\varnothing$	Rx $\varnothing$	Typ - $\varnothing$ 0.03 $\varnothing$	<del>(0.644)</del> $\varnothing$	Typ + $\varnothing$ 0.03 $\varnothing$	Ry $\varnothing$	<del>(0.338)</del> $\varnothing$	Green $\varnothing$	Gx $\varnothing$	<del>(0.310)</del> $\varnothing$	Gy $\varnothing$	<del>(0.619)</del> $\varnothing$	Blue $\varnothing$	Bx $\varnothing$	<del>(0.153)</del> $\varnothing$	By $\varnothing$	<del>(0.062)</del> $\varnothing$	White $\varnothing$	Wx $\varnothing$	0.313 $\varnothing$	Wy $\varnothing$	0.329 $\varnothing$
		Min. $\varnothing$	Typ. $\varnothing$	Max. $\varnothing$																										
Red $\varnothing$	Rx $\varnothing$	Typ - $\varnothing$ 0.03 $\varnothing$	<del>(0.644)</del> $\varnothing$	Typ + $\varnothing$ 0.03 $\varnothing$																										
	Ry $\varnothing$		<del>(0.338)</del> $\varnothing$																											
Green $\varnothing$	Gx $\varnothing$		<del>(0.310)</del> $\varnothing$																											
	Gy $\varnothing$		<del>(0.619)</del> $\varnothing$																											
Blue $\varnothing$	Bx $\varnothing$		<del>(0.153)</del> $\varnothing$																											
	By $\varnothing$		<del>(0.062)</del> $\varnothing$																											
White $\varnothing$	Wx $\varnothing$	0.313 $\varnothing$																												
	Wy $\varnothing$	0.329 $\varnothing$																												
		8.1	Modify PACKAGING: Change Box weight form 24.89 Kg to 26.81Kg (12 modules per box)																											

## 1. GENERAL DESCRIPTION

### 1.1 OVERVIEW

The M215H3-LA1 model is a 21.5 inch wide TFT-LCD module with LED Backlight Unit and a 30-pin 2ch-LVDS interface. This module supports 1920 x 1080 Full HD (16:9 wide screen) mode and displays up to 16.7 millions colors. The converter module for the Backlight Unit is not built in.

### 1.2 FEATURES

- Super wide viewing angle
- High contrast ratio
- Fast response time
- Low power consumption
- FULL HD(1920 x 1080 pixels) resolution
- DE (Data Enable) only mode
- LVDS (Low Voltage Differential Signaling) interface
- Lower power consumption
- RoHS compliance.

### 1.3 APPLICATION

- Workstation & desktop monitor
- Display terminals for AV application

### 1.4 GENERAL SPECIFICATIONS

Item	Specification	Unit	Note
Diagonal size	546.86 (21.53")	mm	
Active Area	476.64 x 268.11	mm	(1)
Bezel Opening Area	479.8 (H) x 271.3 (V)	mm	
Driver Element	a-Si TFT active matrix	-	-
Pixel Number	1920 x R.G.B. x 1080	pixel	-
Pixel Pitch	0.248(H) x 0.248(V)	mm	-
Pixel Arrangement	RGB vertical stripe	-	-
Display Colors	16.7 millions	color	-
Transmissive Mode	Normally White	-	-
Surface Treatment	Hard coating (3H), AG (Haze 25%)	-	-
Module Power Consumption	12.55	Watt	(2)

### 1.5 MECHANICAL SPECIFICATIONS

Item	Min.	Typ.	Max.	Unit	Note	
Module Size	Horizontal(H)	495.1	495.6	496.1	mm	(1)
	Vertical(V)	291.7	292.2	292.7	mm	
	Depth(D)	11.0	11.5	12.0	mm	
Weight	--	2010	2060	g		
I/F connector mounting position	The mounting inclination of the connector makes the screen center within $\pm 0.5$ mm as the horizontal.					

Note (1) Please refer to the attached drawings for more information of front and back outline dimensions.

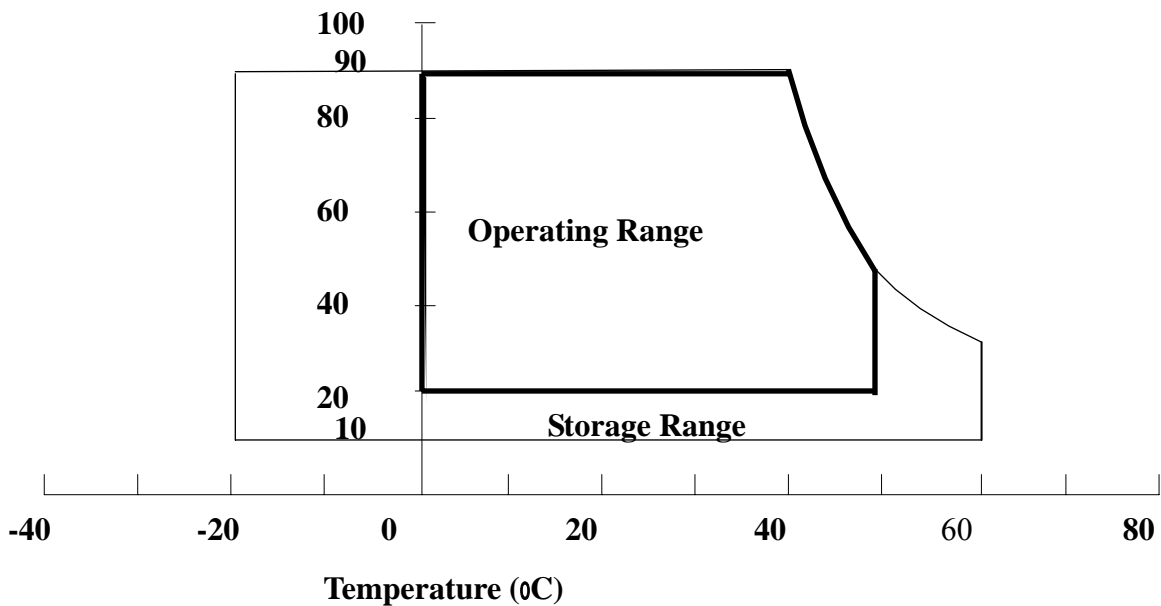
Note (2) Please refer to sec. 3.1 & 3.2 in this document for more information of power consumption

## 2. ABSOLUTE MAXIMUM RATINGS

### 2.1 ABSOLUTE RATINGS OF ENVIRONMENT

Item	Symbol	Value		Unit	Note
		Min.	Max.		
Storage Temperature	T <sub>ST</sub>	-20	+60	°C	(1)
Operating Ambient Temperature	T <sub>OP</sub>	0	+50	°C	(1), (2)
Shock (Non-Operating)	S <sub>NOP</sub>	-	50	G	(3), (5)
Vibration (Non-Operating)	V <sub>NOP</sub>	-	1.5	G	(4), (5)
LCD Cell Life Time	L <sub>CELL</sub>	50,000	-	Hrs	MTBF based

### Relative Humidity (%RH)



Note (1) Temperature and relative humidity range is shown in the figure below.

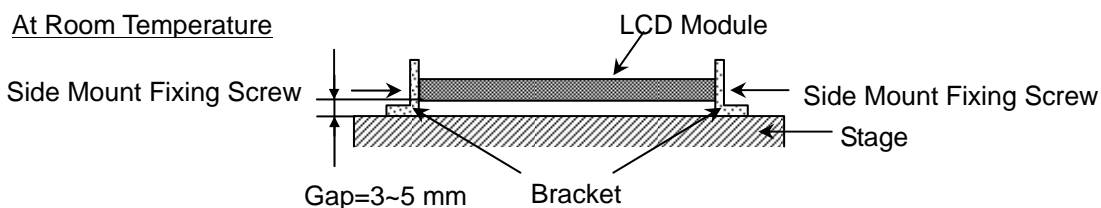
- (a) 90% RH Max. (T<sub>a</sub> ≤ 40 °C).
- (b) Wet-bulb temperature should be 39 °C Max. (T<sub>a</sub> > 40 °C).
- (c) No condensation.

Note (2) The temperature of panel surface should be 0 °C Min. and 60 °C Max.

Note (3) 50G,11 ms, half-sine wave, 1 time for ± X, ± Y, ± Z.

Note (4) 10 ~ 300 Hz, sweep rate 10 min / cycle , 30 min for X,Y,Z axis

Note (5) Upon the Vibration and Shock tests, the fixture used to hold the module must be firm and rigid enough to prevent the module from twisting or bending by the fixture.



## 2.2 ELECTRICAL ABSOLUTE RATINGS

### 2.2.1 TFT LCD MODULE

Item	Symbol	Value		Unit	Note
		Min.	Max.		
Power Supply Voltage	V <sub>CC</sub>	-0.3	+6	V	(1)

### 2.2.2 BACK LIGHT UNIT

Item	Symbol	Value			Unit	Note
		Min.	Typ.	Max.		
LED Forward Current Per Input Pin	I <sub>F</sub>	(0)	(40)	<b>(50)</b>	mA	(1), (2) Duty=100%
LED Reverse Voltage Per Input Pin	V <sub>R</sub>	---	---	<b>(65)</b>	V	

Note (1) Permanent damage to the device may occur if maximum values are exceeded. Function operation should be restricted to the conditions described under Normal Operating Conditions.

Note (2) Specified values are for input pin of LED light bar at Ta=25±2 (Refer to 3.2 and 3.3 for further Information).

### 3. ELECTRICAL CHARACTERISTICS

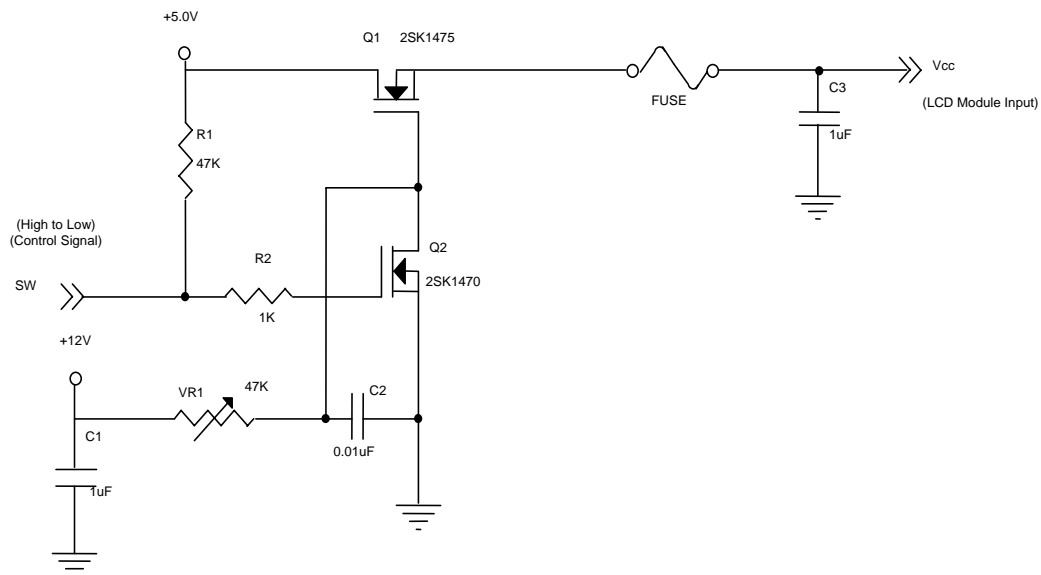
#### 3.1 TFT LCD MODULE

Ta = 25 ± 2 °C

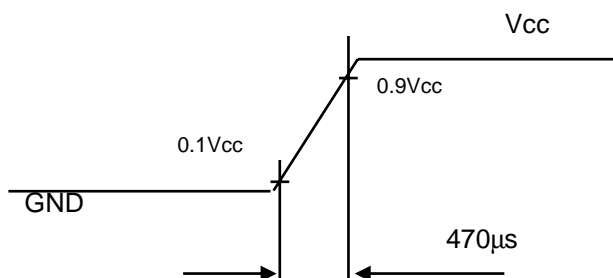
Parameter	Symbol	Value			Unit	Note
		Min.	Typ.	Max.		
Power Supply Voltage	Vcc	4.5	5.0	5.5	V	-
Ripple Voltage	V <sub>RP</sub>	-	--	300	mV	V <sub>p-p</sub>
Power on Rush Current	I <sub>RUSH</sub>	-	--	3	A	(2)
Power Supply Current	White	-	0.51	0.61	A	(3)a
	Black	-	1.05	1.26	A	(3)b
	Vertical Stripe	-	1.06	1.26	A	(3)c
Power consumption(without Backlight Unit)	Plcd	-	5.3	6.3	W	(4)
LVDS differential input voltage	Vid	100	-	600	mV	(5)
LVDS common input voltage	Vic	1	1.2	1.4	V	

Note (1) The module should be always operated within above ranges.

Note (2) Power on rush current measurement conditions:



**Vcc rising time is 470μs**



Note (3) The specified power supply current is under the conditions at  $V_{CC} = 5.0\text{ V}$ ,  $T_a = 25 \pm 2\text{ }^\circ\text{C}$ ,  $f_v = 60\text{ Hz}$ , whereas a power dissipation check pattern below is displayed.

a. White Pattern



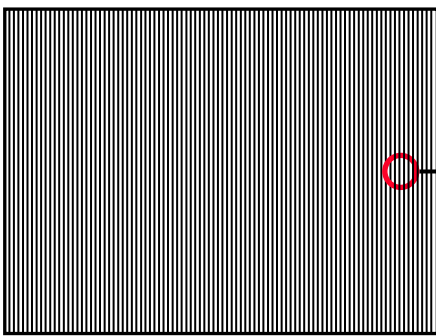
Active Area

b. Black Pattern

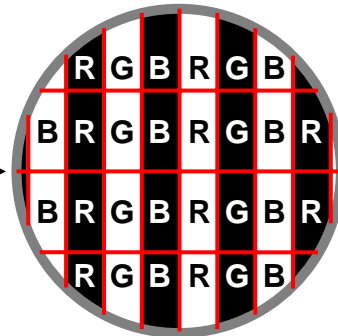


Active Area

c. Vertical Stripe Pattern



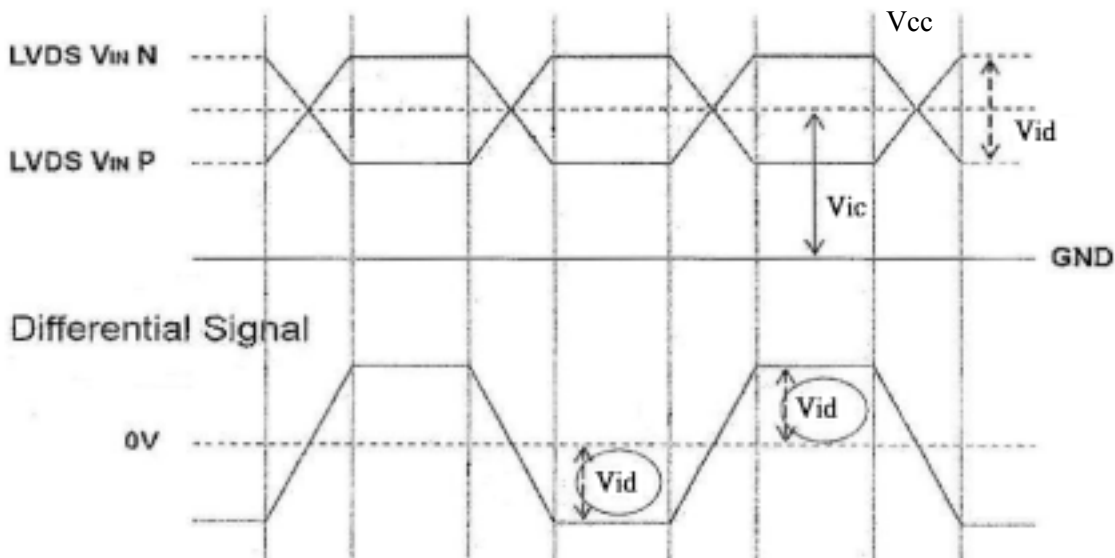
Active Area



Note (4) The power consumption is specified at the pattern with the maximum current

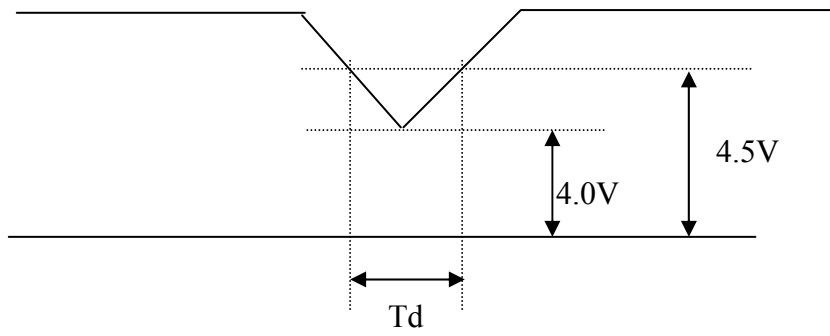
Note (5) VID waveform condition

Single-End





3.2 Vcc Power Dip Condition:



Dip condition:  $4.0V \leq V_{cc} \leq 4.5V, T_d \leq 20ms$

### 3.3 BACKLIGHT UNIT

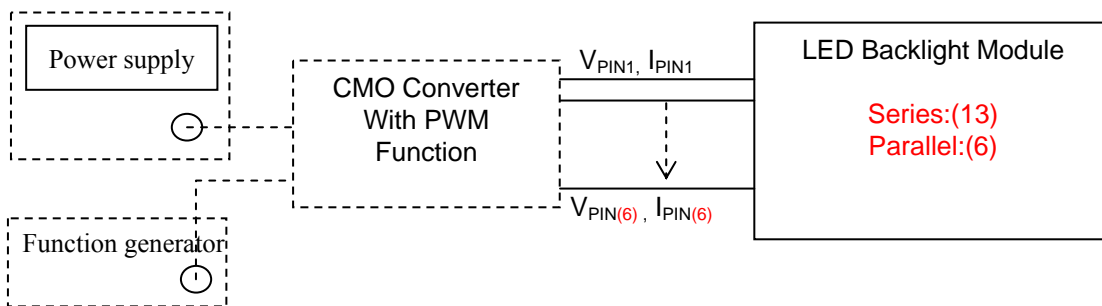
Ta = 25 ± 2 °C

Parameter	Symbol	Value			Unit	Note
		Min.	Typ.	Max.		
LED Light Bar Input Voltage Per Input Pin	V <sub>PIN</sub>	---	(41.6)	(45.5)	V	(1), Duty=100%, <b>I<sub>PIN</sub>=40mA</b>
LED Light Bar Current Per Input Pin	I <sub>PIN</sub>	0	(40)	(50)	mA	(1), (2) Duty=100%
LED Life Time	L <sub>LED</sub>	(30000)	---	---	Hrs	(3)
Power Consumption	P <sub>BL</sub>	---	(9.984)	(10.92)	W	(1) Duty=100%, <b>I<sub>PIN</sub>=40mA</b>

Note (1) LED light bar input voltage and current are measured by utilizing a true RMS multimeter as shown below:

Note (2)  $P_{BL} = I_{PIN} \times V_{PIN} \times (6)$  input pins , LED light bar circuit is (13)Series, (6)Parallel.

Note (3) The lifetime of LED is defined as the time when LED packages continue to operate under the conditions at Ta = 25 ±2 and I= (20)mA (per chip) until the brightness becomes 50% of its original value.



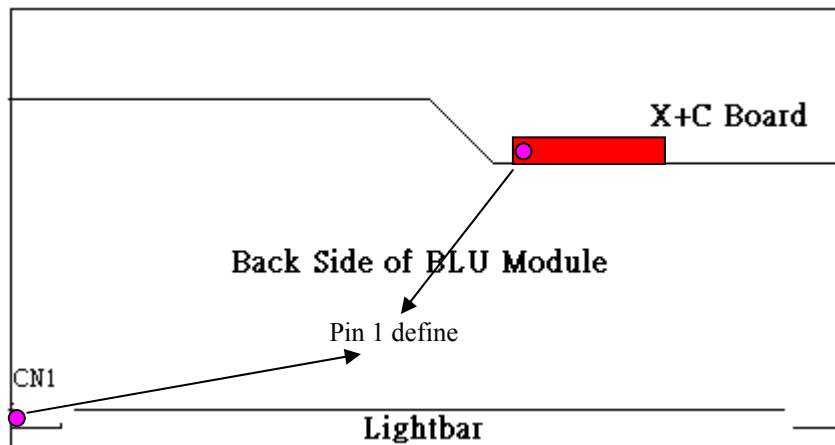
### 3.4 LIGHTBAR Connector Pin Assignment

Connector: B-F,7083K-F12N-00L ,ENTERY(恩得利),

**Input Connector pin assignment:**

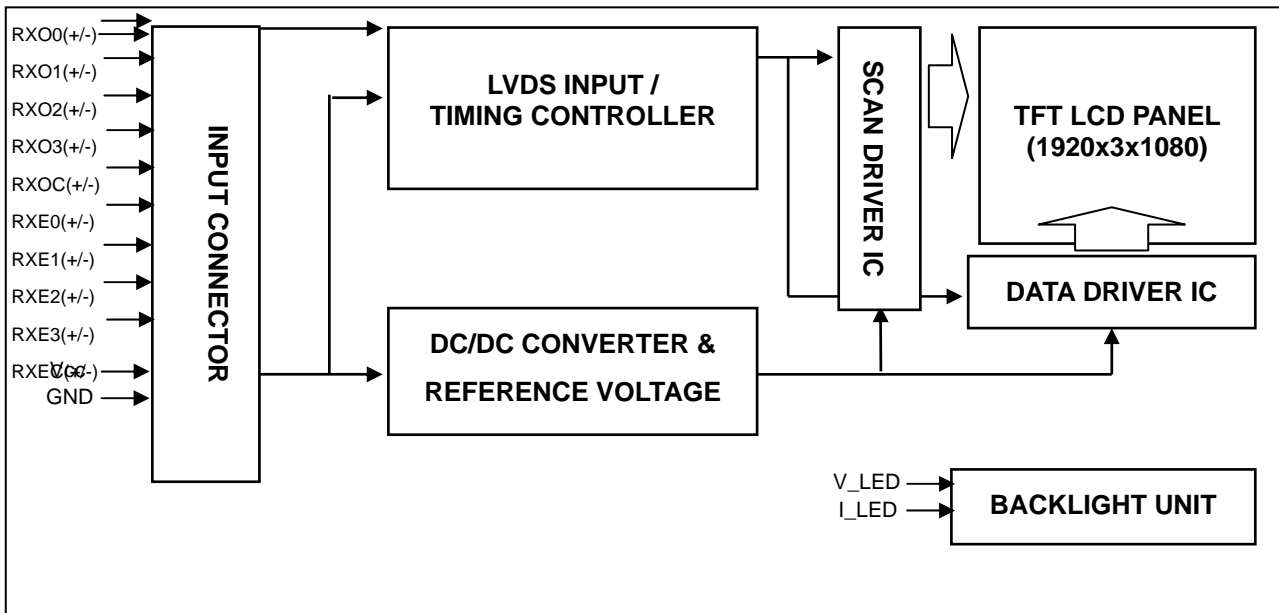
(1) Input connector pin assignment: CN1

Input connector CN1		Comments
(vendor) ENTERY	(type) B-F,7083K-F12N-00L	
Pin	Function	
1	NC	No connect
2	LED1	LED1 negative polarity
3	LED2	LED2 negative polarity
4	LED3	LED3 negative polarity
5	NC	No connect
6	VLED (41.6V)	Input voltage Power Supply + (41.6V.typ)
7	VLED (41.6V)	Input voltage Power Supply + (41.6V.typ)
8	NC	No connect
9	LED4	LED4 negative polarity
10	LED5	LED5 negative polarity
11	LED6	LED6 negative polarity
12	NC	No connect



#### 4. BLOCK DIAGRAM

##### 4.1 TFT LCD MODULE



## 5. INPUT TERMINAL PIN ASSIGNMENT

### 5.1 TFT LCD MODULE

Pin	Name	Description
1	RXO0-	Negative LVDS differential data input. Channel O0 (odd)
2	RXO0+	Positive LVDS differential data input. Channel O0 (odd)
3	RXO1-	Negative LVDS differential data input. Channel O1 (odd)
4	RXO1+	Positive LVDS differential data input. Channel O1 (odd)
5	RXO2-	Negative LVDS differential data input. Channel O2 (odd)
6	RXO2+	Positive LVDS differential data input. Channel O2 (odd)
7	GND	Ground
8	RXOC-	Negative LVDS differential clock input. (odd)
9	RXOC+	Positive LVDS differential clock input. (odd)
10	RXO3-	Negative LVDS differential data input. Channel O3(odd)
11	RXO3+	Positive LVDS differential data input. Channel O3 (odd)
12	RXE0-	Negative LVDS differential data input. Channel E0 (even)
13	RXE0+	Positive LVDS differential data input. Channel E0 (even)
14	GND	Ground
15	RXE1-	Negative LVDS differential data input. Channel E1 (even)
16	RXE1+	Positive LVDS differential data input. Channel E1 (even)
17	GND	Ground
18	RXE2-	Negative LVDS differential data input. Channel E2 (even)
19	RXE2+	Positive LVDS differential data input. Channel E2 (even)
20	RXEC-	Negative LVDS differential clock input. (even)
21	RXEC+	Positive LVDS differential clock input. (even)
22	RXE3-	Negative LVDS differential data input. Channel E3 (even)
23	RXE3+	Positive LVDS differential data input. Channel E3 (even)
24	GND	Ground
25	NC	Not connection, this pin should be open.
26	NC	Not connection, this pin should be open.
27	NC	Not connection, this pin should be open.
28	VCC	+5.0V power supply
29	VCC	+5.0V power supply
30	VCC	+5.0V power supply

Note (1) Connector Part No.: 093G30-B2001A-M4(STARCONN) or MSCKT2407P30H,STM(信盛)

Note (2) Mating Wire Cable Connector Part No.: FI-X30H(JAE) or FI-X30HL(JAE)

Note (3) Mating FFC Cable Connector Part No.: B-F,7083K-F12N-00L ,ENTERY(恩得利)

Note (4) The first pixel is odd.

Note (5) Input signal of even and odd clock should be the same timing.

5.2 LVDS DATA MAPPING TABLE

LVDS Channel O0	LVDS output	D7	D6	D4	D3	D2	D1	D0
	Data order	OG0	OR5	OR4	OR3	OR2	OR1	OR0
LVDS Channel O1	LVDS output	D18	D15	D14	D13	D12	D9	D8
	Data order	OB1	OB0	OG5	OG4	OG3	OG2	OG1
LVDS Channel O2	LVDS output	D26	D25	D24	D22	D21	D20	D19
	Data order	DE	NA	NA	OB5	OB4	OB3	OB2
LVDS Channel O3	LVDS output	D23	D17	D16	D11	D10	D5	D27
	Data order	NA	OB7	OB6	OG7	OG6	OR7	OR6
LVDS Channel E0	LVDS output	D7	D6	D4	D3	D2	D1	D0
	Data order	EG0	ER5	ER4	ER3	ER2	ER1	ER0
LVDS Channel E1	LVDS output	D18	D15	D14	D13	D12	D9	D8
	Data order	EB1	EB0	EG5	EG4	EG3	EG2	EG1
LVDS Channel E2	LVDS output	D26	D25	D24	D22	D21	D20	D19
	Data order	DE	NA	NA	EB5	EB4	EB3	EB2
LVDS Channel E3	LVDS output	D23	D17	D16	D11	D10	D5	D27
	Data order	NA	EB7	EB6	EG7	EG6	ER7	ER6

### 5.3 COLOR DATA INPUT ASSIGNMENT

The brightness of each primary color (red, green and blue) is based on the 8-bit gray scale data input for the color. The higher the binary input, the brighter the color. The table below provides the assignment of color versus data input.

Color		Data Signal																						
		Red								Green								Blue						
		R7	R6	R5	R4	R3	R2	R1	R0	G7	G6	G5	G4	G3	G2	G1	G0	B7	B6	B5	B4	B3	B2	B1
Basic Colors	Black	0	0	0	0	0	0	0	0	0	0	0	0	0	0	0	0	0	0	0	0	0	0	0
	Red	1	1	1	1	1	1	1	1	0	0	0	0	0	0	0	0	0	0	0	0	0	0	0
	Green	0	0	0	0	0	0	0	0	1	1	1	1	1	1	1	1	0	0	0	0	0	0	0
	Blue	0	0	0	0	0	0	0	0	0	0	0	0	0	0	0	0	1	1	1	1	1	1	1
	Cyan	0	0	0	0	0	0	0	0	1	1	1	1	1	1	1	1	1	1	1	1	1	1	1
	Magenta	1	1	1	1	1	1	1	1	0	0	0	0	0	0	0	0	1	1	1	1	1	1	1
	Yellow	1	1	1	1	1	1	1	1	1	1	1	1	1	1	1	1	0	0	0	0	0	0	0
	White	1	1	1	1	1	1	1	1	1	1	1	1	1	1	1	1	1	1	1	1	1	1	1
Gray Scale Of Red	Red(0) / Dark	0	0	0	0	0	0	0	0	0	0	0	0	0	0	0	0	0	0	0	0	0	0	
	Red(1)	0	0	0	0	0	0	0	1	0	0	0	0	0	0	0	0	0	0	0	0	0	0	
	Red(2)	0	0	0	0	0	0	1	0	0	0	0	0	0	0	0	0	0	0	0	0	0	0	
	:	:	:	:	:	:	:	:	:	:	:	:	:	:	:	:	:	:	:	:	:	:	:	
	:	:	:	:	:	:	:	:	:	:	:	:	:	:	:	:	:	:	:	:	:	:	:	
	Red(253)	1	1	1	1	1	1	0	1	0	0	0	0	0	0	0	0	0	0	0	0	0	0	
	Red(254)	1	1	1	1	1	1	1	0	0	0	0	0	0	0	0	0	0	0	0	0	0	0	
	Red(255)	1	1	1	1	1	1	1	1	0	0	0	0	0	0	0	0	0	0	0	0	0	0	
Gray Scale Of Green	Green(0) / Dark	0	0	0	0	0	0	0	0	0	0	0	0	0	0	0	0	0	0	0	0	0	0	
	Green(1)	0	0	0	0	0	0	0	0	0	0	0	0	0	0	1	0	0	0	0	0	0	0	
	Green(2)	0	0	0	0	0	0	0	0	0	0	0	0	0	1	0	0	0	0	0	0	0	0	
	:	:	:	:	:	:	:	:	:	:	:	:	:	:	:	:	:	:	:	:	:	:	:	
	:	:	:	:	:	:	:	:	:	:	:	:	:	:	:	:	:	:	:	:	:	:	:	
	Green(253)	0	0	0	0	0	0	0	0	1	1	1	1	1	1	0	1	0	0	0	0	0	0	
	Green(254)	0	0	0	0	0	0	0	0	1	1	1	1	1	1	1	0	0	0	0	0	0	0	
	Green(255)	0	0	0	0	0	0	0	0	1	1	1	1	1	1	1	1	0	0	0	0	0	0	
Gray Scale Of Blue	Blue(0) / Dark	0	0	0	0	0	0	0	0	0	0	0	0	0	0	0	0	0	0	0	0	0	0	
	Blue(1)	0	0	0	0	0	0	0	0	0	0	0	0	0	0	0	0	0	0	0	0	0	1	
	Blue(2)	0	0	0	0	0	0	0	0	0	0	0	0	0	0	0	0	0	0	0	0	0	1	
	:	:	:	:	:	:	:	:	:	:	:	:	:	:	:	:	:	:	:	:	:	:	:	
	:	:	:	:	:	:	:	:	:	:	:	:	:	:	:	:	:	:	:	:	:	:	:	
	Blue(253)	0	0	0	0	0	0	0	0	0	0	0	0	0	0	0	0	1	1	1	1	1	0	
	Blue(254)	0	0	0	0	0	0	0	0	0	0	0	0	0	0	0	0	1	1	1	1	1	0	
	Blue(255)	0	0	0	0	0	0	0	0	0	0	0	0	0	0	0	0	1	1	1	1	1	1	

Note (1) 0: Low Level Voltage, 1: High Level Voltage

## 6. INTERFACE TIMING

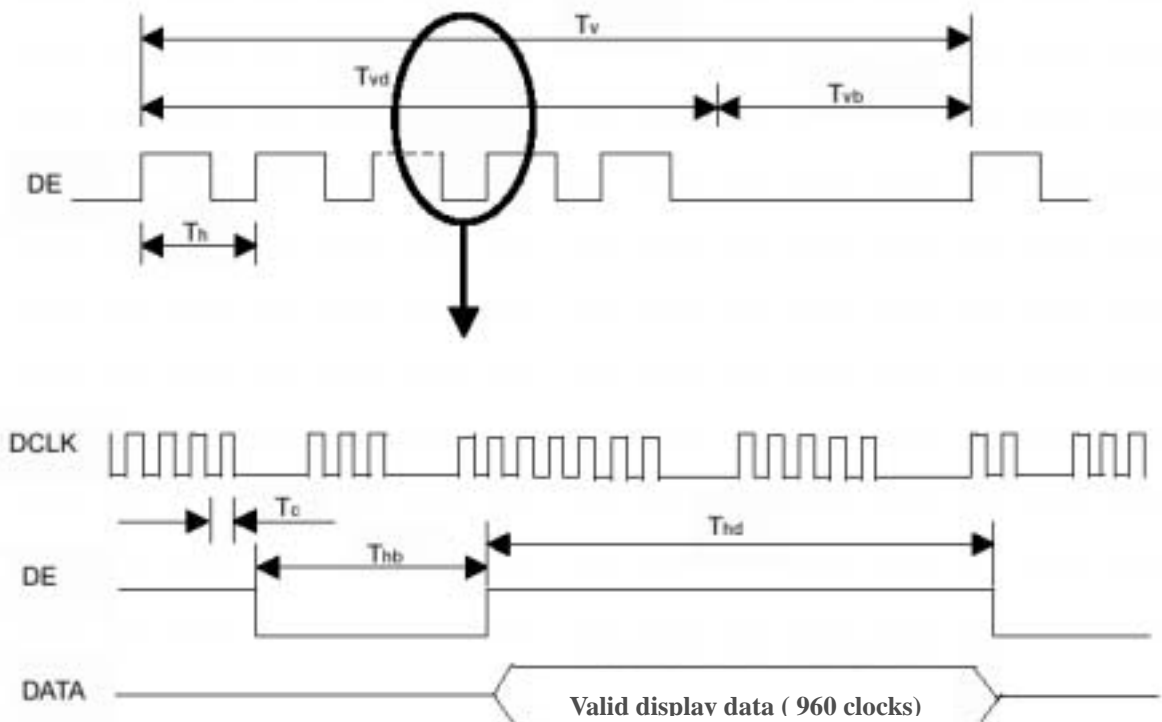
### 6.1 INPUT SIGNAL TIMING SPECIFICATIONS

The input signal timing specifications are shown as the following table and timing diagram.

Signal	Item	Symbol	Min.	Typ.	Max.	Unit	Note
LVDS Clock	Frequency	$F_c$	58.54	74.25	97.98	MHz	-
	Period	$T_c$	-	13.47	-	ns	-
	Input cycle to cycle jitter	$T_{rcj}$	-	-	200	ps	(1)
	Spread spectrum modulation range	$F_{clk\_mod}$	$F_{clk} - 2\%$	-	$F_{clk} + 2\%$	MHz	(2)
	Spread spectrum modulation frequency	$F_{SSM}$			200	KHz	
	High Time	$T_{ch}$	-	4/7	-	$T_c$	-
	Low Time	$T_{cl}$	-	3/7	-	$T_c$	-
LVDS Data	Setup Time	$T_{lvs}$	600	-	-	ps	(3)
	Hold Time	$T_{lvh}$	600	-	-	ps	
Vertical Active Display Term	Frame Rate	$F_r$	50	60	75	Hz	$T_v = T_{vd} + T_{vb}$
	Total	$T_v$	1115	1125	1136	Th	-
	Display	$T_{vd}$	1080	1080	1080	Th	-
	Blank	$T_{vb}$	$T_v - T_{vd}$	45	$T_v - T_{vd}$	Th	-
Horizontal Active Display Term	Total	$T_h$	1050	1100	1150	$T_c$	$T_h = T_{hd} + T_{hb}$
	Display	$T_{hd}$	960	960	960	$T_c$	-
	Blank	$T_{hb}$	$T_h - T_{hd}$	140	$T_h - T_{hd}$	$T_c$	-

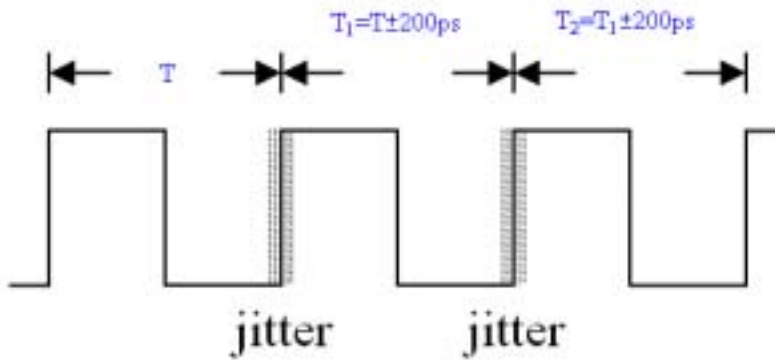
Note : Because this module is operated by DE only mode, Hsync and Vsync input signals should be set to low logic level or ground. Otherwise, this module would operate abnormally.

#### INPUT SIGNAL TIMING DIAGRAM

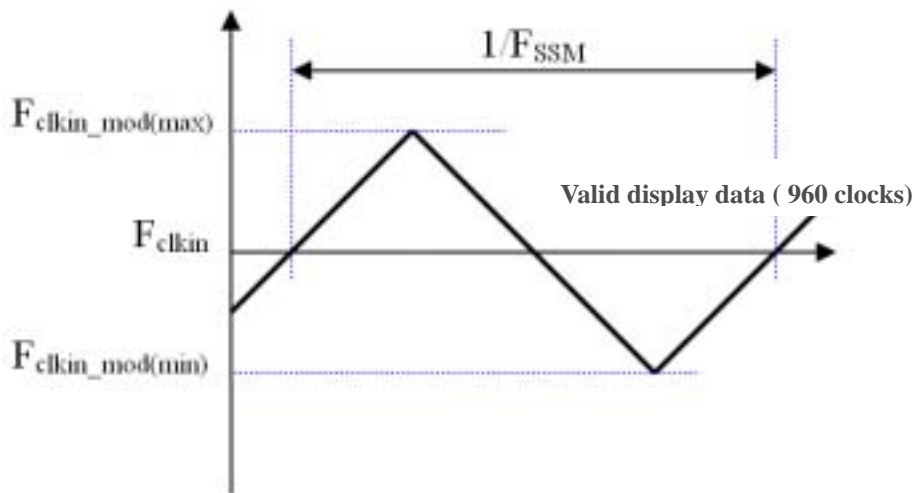




Note (1) The input clock cycle-to-cycle jitter is defined as below figures.  $Trcl = |T_1 - T_2|$

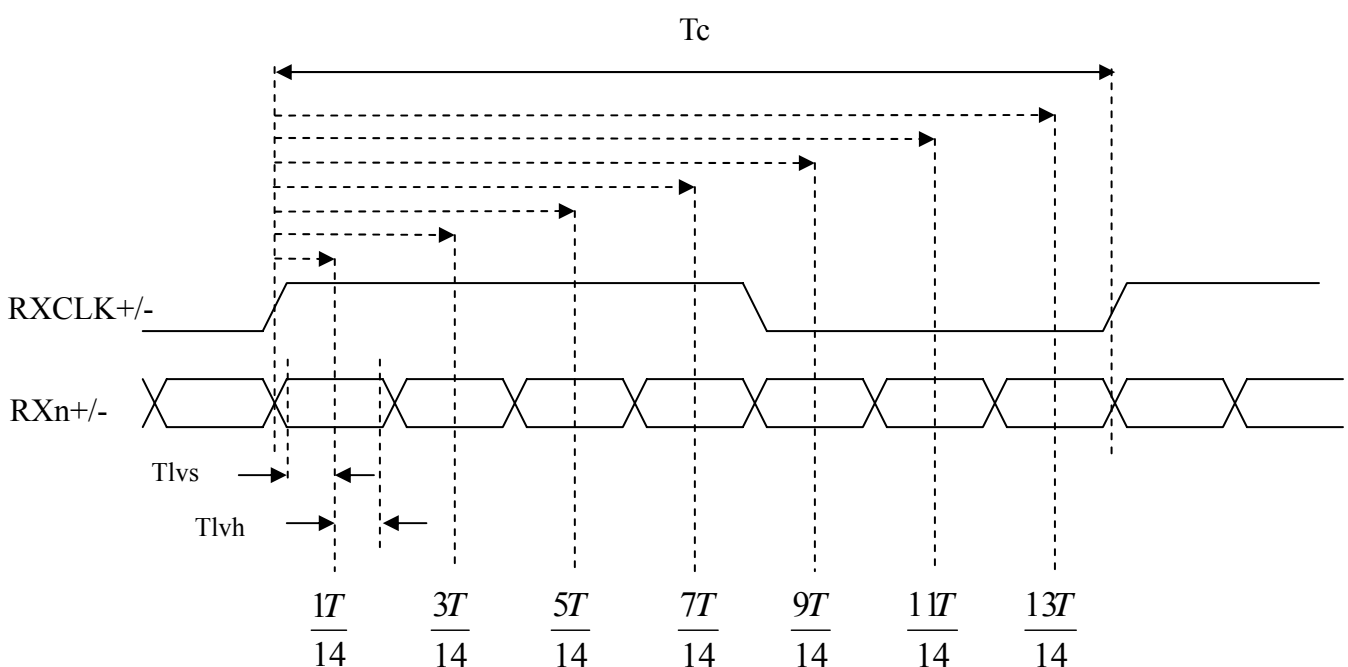


Note (2) The SSCG (Spread spectrum clock generator) is defined as below figures.



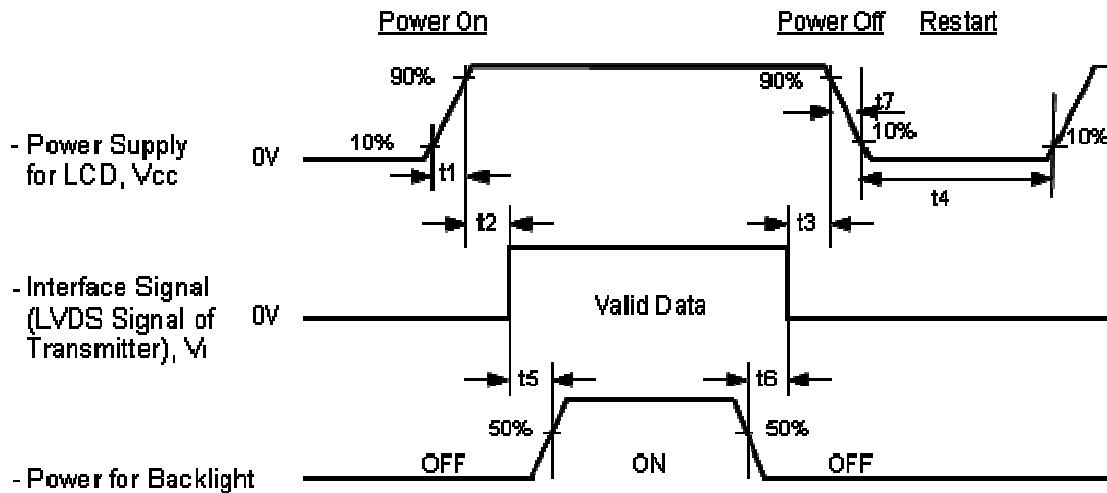
Note (3) The LVDS timing diagram and setup/hold time is defined and showing as the following figures.

**LVDS RECEIVER INTERFACE TIMING DIAGRAM**



## 6.2 POWER ON/OFF SEQUENCE

To prevent a latch-up or DC operation of LCD module, the power on/off sequence should be as the diagram below.



### Timing Specifications:

0.5 < t1	10 msec
0 < t2	50 msec
0 < t3	50 msec
t4	500 msec
t5	450 msec
t6	90 msec
5 t7	100 msec

### Note.

- (1) The supply voltage of the external system for the module input should be the same as the definition of Vcc.
- (2) When the backlight turns on before the LCD operation of the LCD turns off, the display may momentarily become abnormal screen.
- (3) In case of Vcc = off level, please keep the level of input signals on the low or keep a high impedance.
- (4) t4 should be measured after the module has been fully discharged between power off and on period.
- (5) Interface signal shall not be kept at high impedance when the power is on.
- (6) CMO won't take any responsibility for the products which are damaged by the customers not following the Power Sequence.
- (7) There might be slight electronic noise when LCD is turned off (even backlight unit is also off). To avoid this symptom, we suggest "Vcc falling timing" to follow "t7 spec".

## 7. OPTICAL CHARACTERISTICS

### 7.1 TEST CONDITIONS

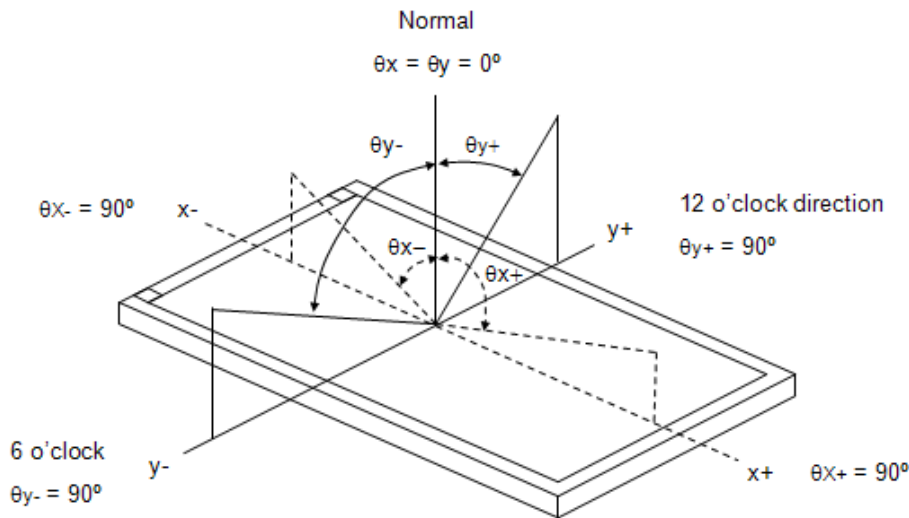
Item	Symbol	Value	Unit
Ambient Temperature	Ta	25±2	°C
Ambient Humidity	Ha	50±10	%RH
Supply Voltage	V <sub>CC</sub>	<b>(5)</b>	V
Input Signal	According to typical value in "3. ELECTRICAL CHARACTERISTICS"		
LED Light Bar Input Current Per Input Pin	I <sub>PIN</sub>	<b>(40 ± 0.6)</b>	mA <sub>DC</sub>
PWM Duty Ratio	D	100	%
LED Light Bar Test Converter	<b>(CMO 27-D041745)</b>		

### 7.2 OPTICAL SPECIFICATIONS

The relative measurement methods of optical characteristics are shown in 7.2. The following items should be measured under the test conditions described in 7.1 and stable environment shown in Note (5).

Item	Symbol	Condition	Min.	Typ.	Max.	Unit	Note		
Color Chromaticity (CIE 1931)	Red	$\theta_x=0^\circ, \theta_y=0^\circ$ CS-2000T	Typ - 0.03	Typ + 0.03	---	---	(1), (5)		
								Rx	<b>(0.644)</b>
	Ry							<b>(0.338)</b>	
	Green							Gx	<b>(0.310)</b>
								Gy	<b>(0.619)</b>
	Blue							Bx	<b>(0.153)</b>
								By	<b>(0.062)</b>
	White							Wx	0.313
Wy		0.329							
Center Luminance of White (Center of Screen)	L <sub>c</sub>		200	250	---	cd/m <sup>2</sup>	(4), (5)		
Contrast Ratio	CR		700	1000	---	---	(2), (6)		
Response Time	T <sub>R</sub>	$\theta_x=0^\circ, \theta_y=0^\circ$	---	1.3	2.2	ms	(3)		
	T <sub>F</sub>							3.7	5.8
White Variation	ΔW	$\theta_x=0^\circ, \theta_y=0^\circ$ USB2000	---	---	<b>(1.42)</b>	-	(5), (6)		
Viewing Angle	Horizontal	CR 10 USB2000	150	170	---	---	Deg.	(1), (5)	
									θ <sub>x+</sub>
	θ <sub>x-</sub>								
	Vertical								θ <sub>y+</sub>
θ <sub>y-</sub>									
Viewing Angle	Horizontal	CR 5 USB2000	160	178	---	---	Deg.	(1), (5)	
									θ <sub>x+</sub>
	θ <sub>x-</sub>								
	Vertical								θ <sub>y+</sub>
θ <sub>y-</sub>									

Note (1) Definition of Viewing Angle ( $\theta_x$ ,  $\theta_y$ ):



Note (2) Definition of Contrast Ratio (CR):

The contrast ratio can be calculated by the following expression.

$$\text{Contrast Ratio (CR)} = L_{255} / L_0$$

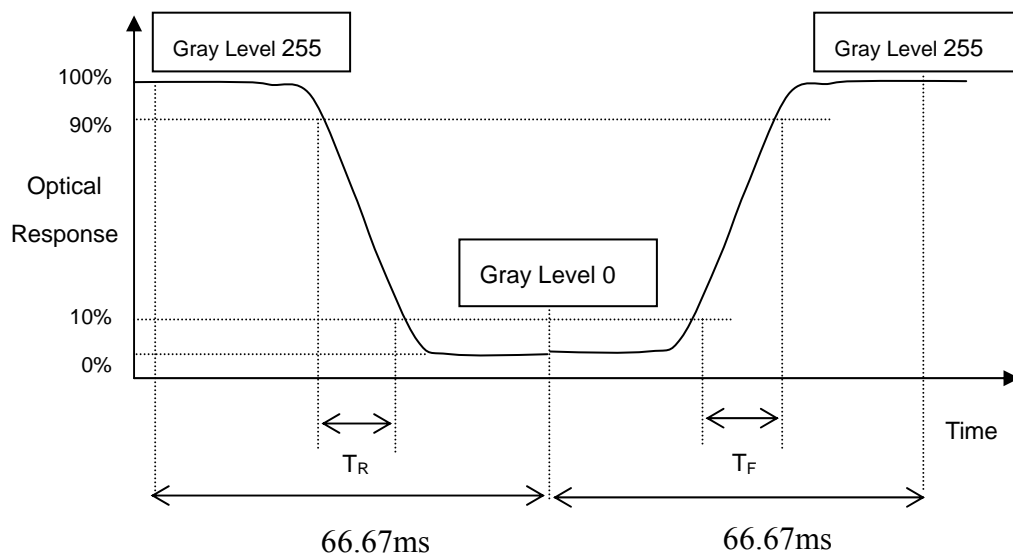
L255: Luminance of gray level 255

L 0: Luminance of gray level 0

$$\text{CR} = \text{CR} (5)$$

CR (X) is corresponding to the Contrast Ratio of the point X at Figure in Note (6).

Note (3) Definition of Response Time ( $T_R$ ,  $T_F$ ):



Note (4) Definition of Luminance of White ( $L_C$ ):

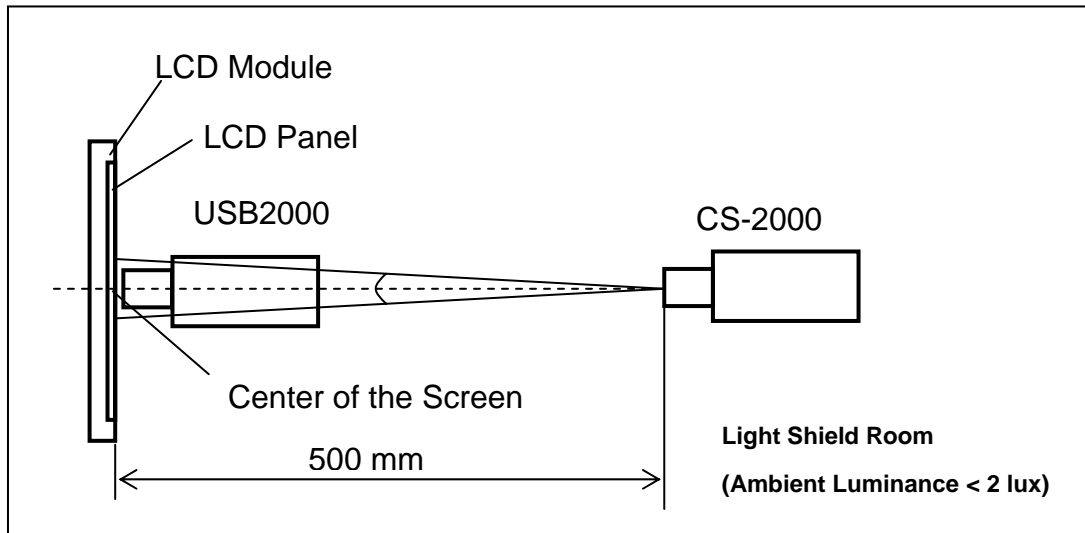
Measure the luminance of gray level 255 at center point

$$L_C = L (5)$$

L (x) is corresponding to the luminance of the point X at Figure in Note (6).

Note (5) Measurement Setup:

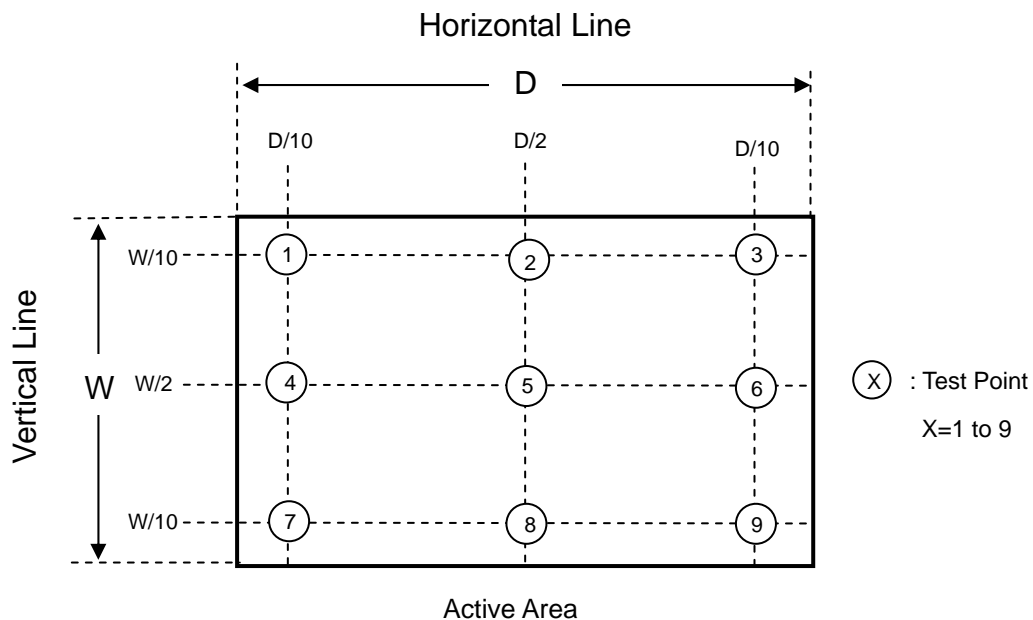
The LCD module should be stabilized at given temperature for (30 minutes) to avoid abrupt temperature change during measuring. In order to stabilize the luminance, the measurement should be executed after lighting Backlight for (30 minutes) in a windless room.



Note (6) Definition of White Variation ( $\delta W$ ):

Measure the luminance of gray level 255 at 9 points

$$\delta W = \text{Maximum} [L (1) \sim L (9)] / \text{Minimum} [L (1) \sim L (9)]$$



## 8. PACKAGING

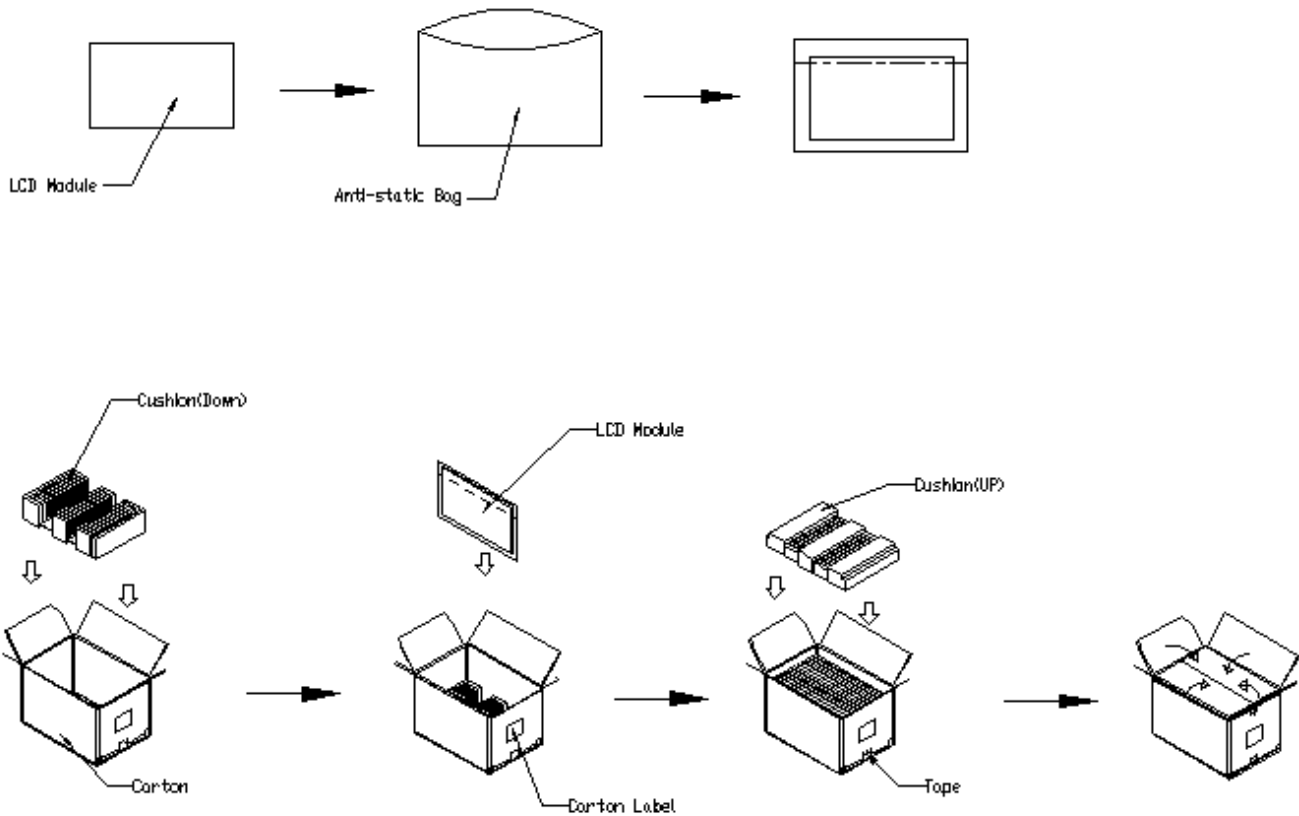
### 8.1 PACKING SPECIFICATIONS

- (1) 12 LCD modules / 1 Box
- (2) Box dimensions: 563(L) X 390 (W) X 375 (H) mm
- (3) Weight: 26.81Kg (12 modules per box)

### 8.2 PACKING METHOD

- (1) Carton Packing should have no failure in the following reliability test items.

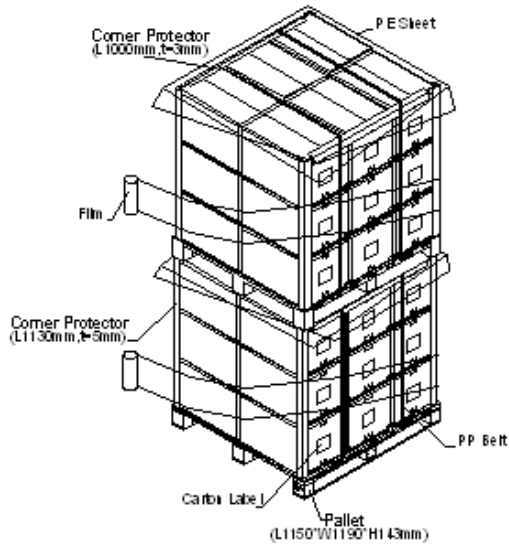
Test Item	Test Conditions	Note
Vibration	ISTA STANDARD Random, Frequency Range: 1 – 200 Hz Top & Bottom: 30 minutes (+Z), 10 min (-Z), Right & Left: 10 minutes (X) Back & Forth 10 minutes (Y)	Non Operation
Dropping Test	1 Conner, 3 Edge, 6 Face, 45.7cm (ISTA Standard)	Non Operation



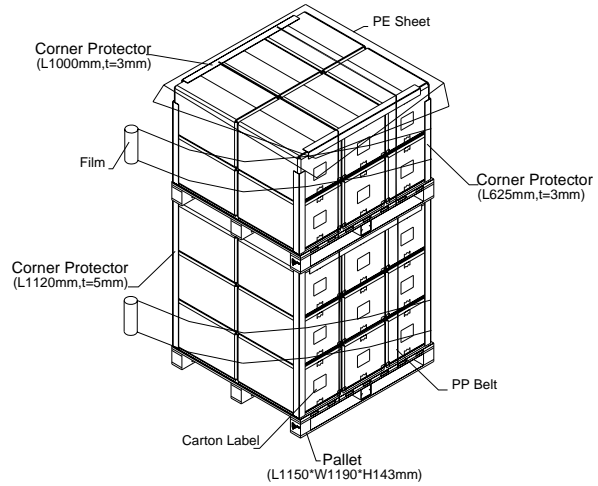
**Figure. 8-1 Packing method**

For ocean shipping

Sea / Land Transportation  
(40ft HQ Container)



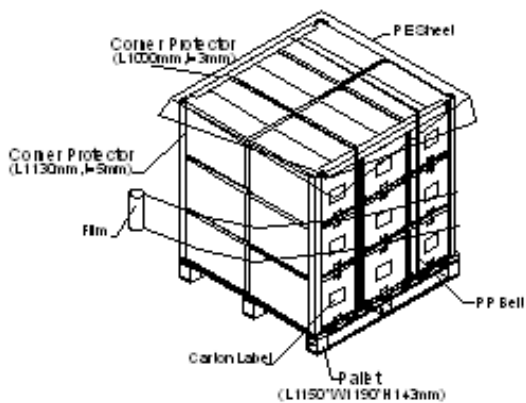
Sea / Land Transportation  
(40ft Container)



**Figure. 8-2 Packing method**

For air transport

Air Transportation



**Figure. 8-3 Packing method**

## 9. DEFINITION OF LABELS

### 9.1 CMO MODULE LABEL

The barcode nameplate is pasted on each module as illustration, and its definitions are as following explanation.



- (a) Model Name: M215H3-LA1
- (b) Revision: Rev. XX, for example: A0, A1... B1, B2... or C1, C2...etc.
- (c) CMO barcode definition:

Serial ID: XX-XX-X-XX-YMD-L-NNNN

Code	Meaning	Description
XX	CMO internal use	-
XX	Revision	Cover all the change
X	CMO internal use	-
XX	CMO internal use	-
YMD	Year, month, day	Year: 0~9, 2001=1, 2002=2, 2003=3...2010=0, 2011=1, 2012=2... Month: 1~12=1, 2, 3, ~, 9, A, B, C Day: 1~31=1, 2, 3, ~, 9, A, B, C, ~, W, X, Y, exclude I, O, and U.
L	Product line #	Line 1=1, Line 2=2, Line 3=3, ...
NNNN	Serial number	Manufacturing sequence of product

- (d) Customer's barcode definition:

Serial ID: CM-L5H31-X-X-X-XX-L-XX-L-YMD-NNNN

Code	Meaning	Description
CM	Supplier code	CMO=CM
L5H31	Model number	M215H3-LA1=L53A1
X	Revision code	ZBD, C1=A, C2=B, .... Non ZBD, C1=1, C2=2, ....
X	Source driver IC code	Century=1, CLL=2, Demos=3, Epson=4, Fujitsu=5, Himax=6, Hitachi=7, Hynix=8, LDI=9, Matsushita=A, NEC=B, Novatec=C, OKI=D, Philips=E, Renesas=F, Samsung=G, Sanyo=H, Sharp=I, TI=J, Topro=K, Toshiba=L, Windbond=M
X	Gate driver IC code	
XX	Cell location	Tainan, Taiwan=TN
L	Cell line #	1~Z
XX	Module location	Tainan, Taiwan=TN ; NB, China=NP ; NH, China=NH
L	Module line #	1~Z
YMD	Year, month, day	Year: 0~9, 2001=1, 2002=2, 2003=3...2010=0, 2011=1, 2012=2... Month: 1~12=1, 2, 3, ~, 9, A, B, C Day: 1~31=1, 2, 3, ~, 9, A, B, C, ~, T, U, V
NNNN	Serial number	Manufacturing sequence of product

- (e) UL Factory ID:

Region	Factory ID
TWCMO	GEMN
NBCMO	LEOO
NBCME	CANO
NHCMO	CAPG



## 10. Reliability Test

Environment test conditions are listed as following table.

Items	Required Condition	Note
Temperature Humidity Bias (THB)	Ta= 50 , 80%RH, 240hours	
High Temperature Operation (HTO)	Ta= 50 , 50%RH , 240hours	
Low Temperature Operation (LTO)	Ta= 0 , 240hours	
High Temperature Storage (HTS)	Ta= 60 , 240hours	
Low Temperature Storage (LTS)	Ta= -20 , 240hours	
Vibration Test (Non-operation)	Acceleration: 1.5 Grms Wave: Half-sine Frequency: 10 - 300 Hz Sweep: 30 Minutes each Axis (X, Y, Z)	
Shock Test (Non-operation)	Acceleration: 50 G Wave: Half-sine Active Time: 11 ms Direction : ± X, ± Y, ± Z.(one time for each Axis)	
Thermal Shock Test (TST)	-20 /30min , 60 / 30min , 100 cycles	
On/Off Test	25 , On/10sec , Off /10sec , 30,000 cycles	
ESD (Electro Static Discharge)	Contact Discharge: ± 8KV, 150pF(330Ω)	
	Air Discharge: ± 15KV, 150pF(330Ω)	
Altitude Test	Operation:10,000 ft / 24hours Non-Operation:30,000 ft / 24hours	

## 11. PRECAUTIONS

### 11.1 ASSEMBLY AND HANDLING PRECAUTIONS

- (1) Do not apply rough force such as bending or twisting to the module during assembly.
- (2) To assemble or install module into user's system can be only in clean working areas. The dust and oil may cause electrical short or worsen the polarizer.
- (3) It's not permitted to have pressure or impulse on the module because the LCD panel and Backlight will be damaged.
- (4) Always follow the correct power sequence when LCD module is connecting and operating. This can prevent damage to the CMOS LSI chips during latch-up.
- (5) Do not pull the I/F connector in or out while the module is operating.
- (6) Do not disassemble the module.
- (7) Use a soft dry cloth without chemicals for cleaning, because the surface of polarizer is very soft and easily scratched.
- (8) It is dangerous that moisture come into or contacted the LCD module, because moisture may damage LCD module when it is operating.
- (9) High temperature or humidity may reduce the performance of module. Please store LCD module within the specified storage conditions.
- (10) When ambient temperature is lower than 10°C may reduce the display quality. For example, the response time will become slowly.

### 11.2 SAFETY PRECAUTIONS

- (1) If the liquid crystal material leaks from the panel, it should be kept away from the eyes or mouth. In case of contact with hands, skin or clothes, it has to be washed away thoroughly with soap.
- (2) After the module's end of life, it is not harmful in case of normal operation and storage.

### 11.3 SAFETY STANDARDS

The LCD module should be certified with safety regulations as follows:

- (1) UL60950-1 or updated standard.
- (2) IEC60950-1 or updated standard.

### 11.4. Storage

- (1) Do not leave the module in high temperature, and high humidity for a long time.  
It is highly recommended to store the module with temperature from 0 to 35  
And relative humidity of less than 70%
- (2) Do not store the TFT – LCD module in direct sunlight
- (3) The module should be stored in dark place. It is prohibited to apply sunlight or fluorescent light in storing

#### 11.5. Operation condition guide

- (1) The LCD product should be operated under normal condition.

Normal condition is defined as below :

Temperature :  $20\pm 15$

Humidity:  $65\pm 20\%$

Display pattern : continually changing pattern(Not stationary)

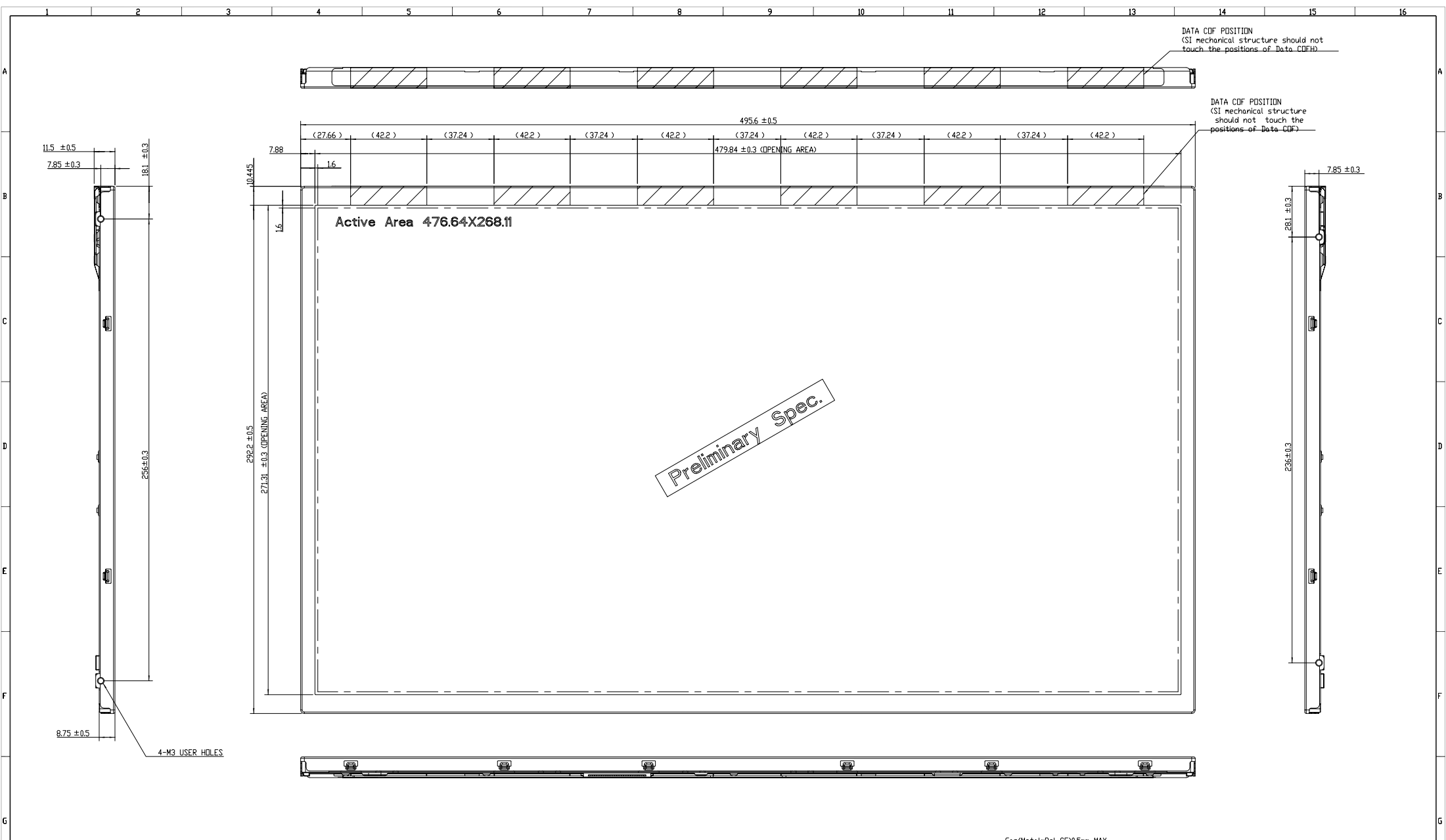
- (2) If the product will be used in extreme conditions such as high temperature , high humidity , high altitude , display pattern or operation time etc...It is strongly recommended to contact CMO for application engineering advice . Otherwise , Its reliability and function may not be guaranteed.

#### 11.6 OTHER

When fixed patterns are displayed for a long time, remnant image is likely to occur.

### 12. MECHANICAL CHARACTERISTICS

[Refer to the next 2 pages]



DATA CDF POSITION  
(SI mechanical structure should not touch the positions of Data CDFH)

DATA CDF POSITION  
(SI mechanical structure should not touch the positions of Data CDF)

Preliminary Spec.

Active Area 476.64X268.11

11.5 ± 0.5  
7.85 ± 0.3  
18.1 ± 0.3

10.445  
7.88  
1.6

292.2 ± 0.5  
271.31 ± 0.3 (OPENING AREA)

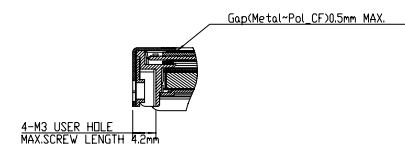
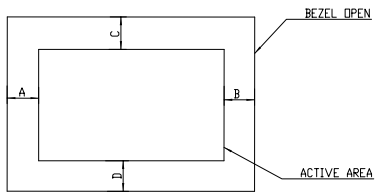
256 ± 0.3

8.75 ± 0.5  
4-M3 USER HOLES

7.85 ± 0.3  
28.1 ± 0.3

236 ± 0.3

- NOTES:  
 1. UNSPECIFIED TOLERANCE: ±0.5mm.  
 2. DISPLAY AREA POSITION TOLERANCE: IA-BI <=1mm & IC-DI <=1mm  
 3. I/F CONNECTOR SPEC: STARCDNN/093G30-B2001A-M4 DR STM/MSCKT2407P30H.  
 4. LIGHT BAR CONNECTOR: ENTERY.7083K-F12Y-00L(Pitch=0.5mm) DR EQUIVALENT.  
 5. SIDE MOUNT HOLE TORQUE: 5Kgf-cm (MAX).



SECTION USER\_HOLE\_H-USER\_HOLE\_H  
SCALE 2:1

Mark	Description	Date	Changed_By	Approved_By	ECN No.	Remark
1						
2						
3						
4						

TITLE ASSY_MODULE_M21543-LA1		ED REV: I15	
Approved KL_LIN		BD REV: I17+	
Checked TIGER_CHANG	Drawing No. M215541021		
Drawer DANNY_KANG	Part No. TBD		
Designer DANNY_KANG	Material TBD	Sheet 1 / 2	A1
Date 05-JAN-2010	Scale 1:1	Uniten	

